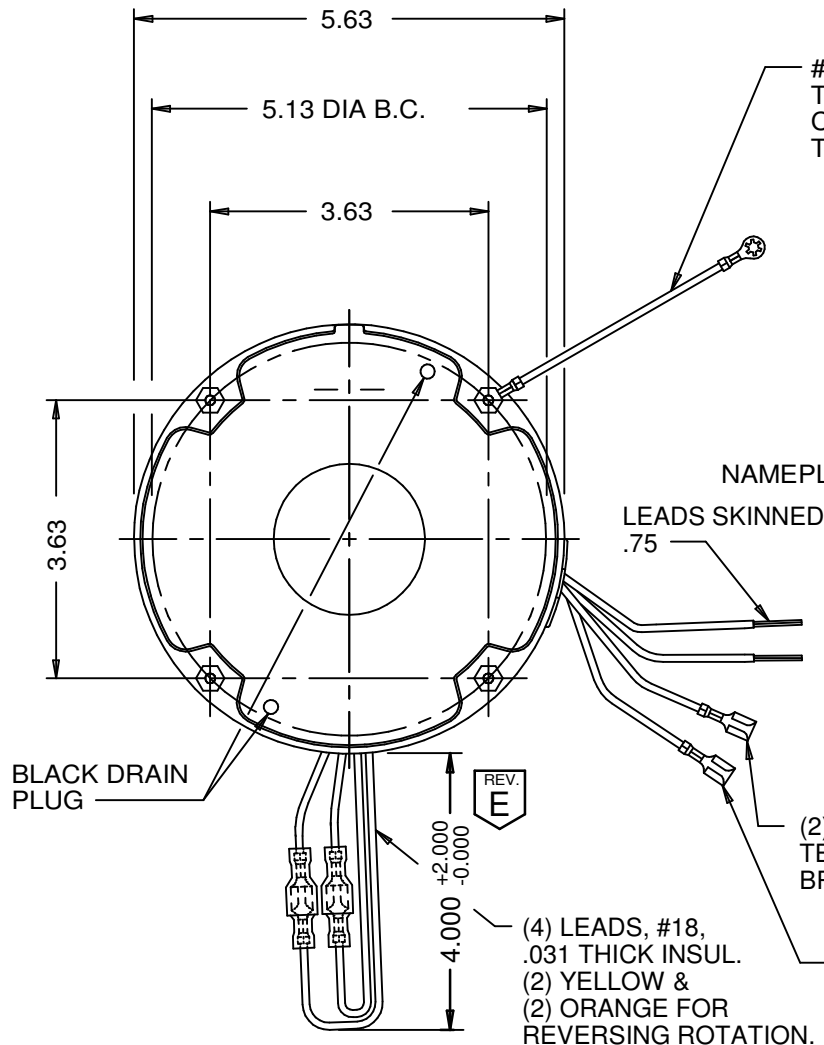
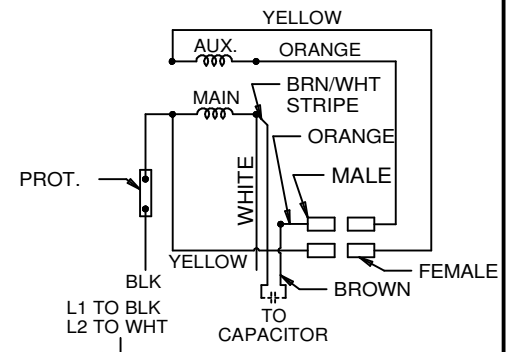
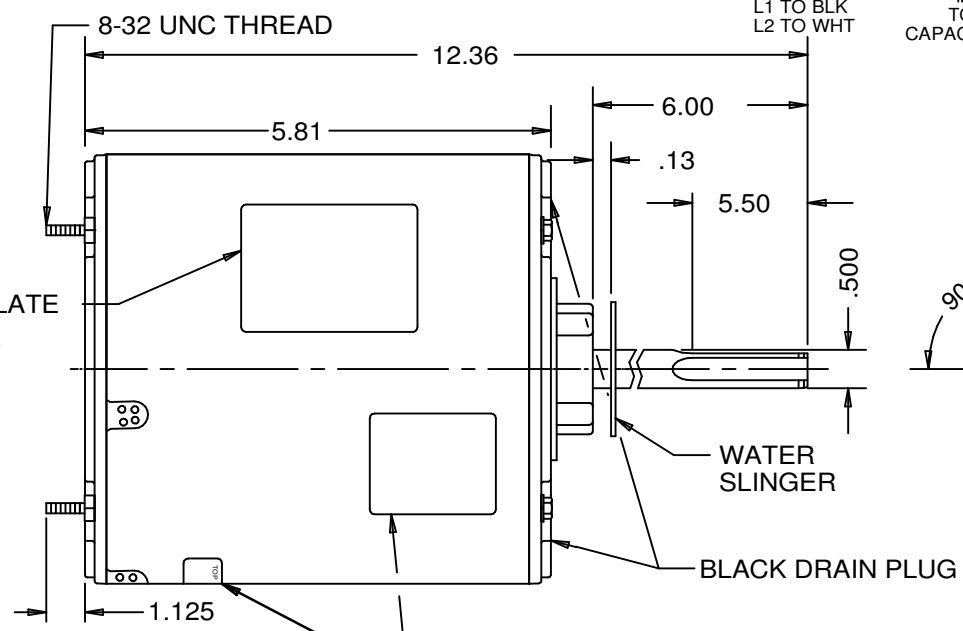


ROTATION IS C.CW VIEWING LEAD END WITH
ORG. TO ORG. & YEL. TO YEL. TO REVERSE
ROTATION INTERCHANGE ORG. & YEL. LEADS



#16 GRN/YEL GROUND LEAD
TO BE 12.00 BETWEEN
CENTERS OF TERMS.
TERM. TO FIT #10 SCREW



BLACK DRAIN PLUG

REV. E

(4) LEADS, #18, .031 THICK INSUL.
(2) YELLOW & (2) ORANGE FOR REVERSING ROTATION.

(2) .25 STRAIGHT TYPE Q.C. TERMS. WITH INSUL. GRIP ON BROWN LEADS

4 LEADS, #18, .062 THICK INSUL. TO EXTEND BEYOND MOTOR
BLACK=30.000 +2-0, WHITE=30.000 +2-0, BROWN=30.000 +2-0, BRN/WHT STRIPE=30.000 +2-0

NAMEPLATE
LEADS SKINNED .75

WATER SLINGER

BLACK DRAIN PLUG

DRAIN PLUG INSTRUCTION LABEL
WARNING LABEL TO BE ADJACENT TO REVERSING LEADS

TOTALLY ENCLOSED
USE WITH 10 MFD 370-VAC CAPACITOR

NIDEC MOTOR CORPORATION 17-Jun-14

MODEL	REF	CUSTOMER	HP	VOLTS	AMPS	HZ	RPM	ROTATION	CUSTOMER PN
K55HXTEH-8594		STANDARD	3/4	208-230	4.7	60	1075	CCW LEAD END REV	1879

SHEET NUMBER	REV	REVISION RECORD FOR: D1360-00	
1 OF 1	E	CHANGED DIMENSION FROM 4.000 +1.000 -0.000 TO 4.000 +2.000 -0.000	
REVISION DATE	17-JUN-14		
ISSUED BY	REVIEWED BY	ENGINEER APPROVED	
I.GUTIERREZ	B. GAITAN	B. GAITAN	

INFORMATION DISCLOSED ON THIS DOCUMENT IS CONSIDERED PROPRIETARY AND SHALL NOT BE REPRODUCED OR DISCLOSED WITHOUT WRITTEN CONSENT OF NIDEC MOTOR CORPORATION
ALL DIMENSIONS ARE FOR REFERENCE ONLY UNLESS TOLERANCE IS GIVEN
TITLE ASSEMBLED VIEW

NIDEC MOTOR CORPORATION	
CODE V01	ITEM NO. 726175
SIZE A	